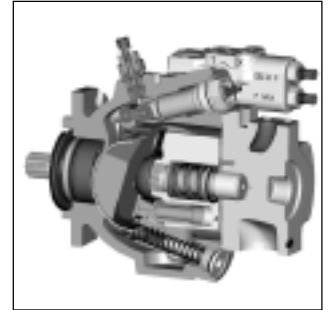
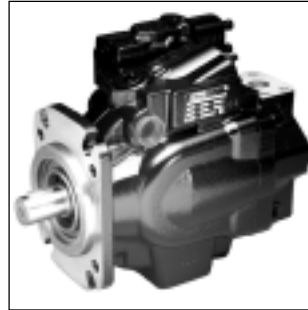


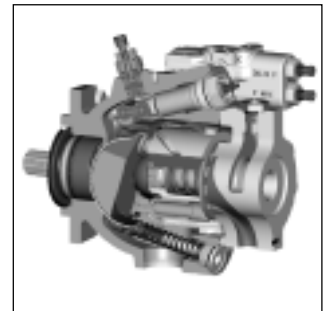
Technical Features

- Compact design
- Low noise level
- Service friendly
- Reliable
- Long-lasting
- Flexible
- Easy to install
- High self-priming speed

P2 Series



P3 Series



Technical Data

		P2 Series				P3 Series		
		P2060	P2075	P2105	P2145	P3075	P3105	P3145
Frame size								
Max. displacement	[cm ³ /rev]	60	75	105	145	75	105	145
	[cu in/rev]	3.66	4.58	6.41	8.85	4.58	6.41	8.85
Self-priming speed at 1 bar absolute inlet pressure	[rpm]	2800	2500	2300	2200	3000	2600	2500
Max. continuous pressure	[bar]	320	320	320	320	320	320	320
	[psi]	4600	4600	4600	4600	4600	4600	4600
Peak pressure	[bar]	370	370	370	370	370	370	370
	[psi]	5365	5365	5365	5365	5365	5365	5365
Min. inlet pressure absolute	[bar]	0.8	0.8	0.8	0.8	0.8	0.8	0.8
at max. speed	[in Hg vacuum]	5.8	5.8	5.8	5.8	5.8	5.8	5.8
Max. inlet pressure	[bar]	10	10	10	10	1.5	1.5	1.5
	[psi]	145	145	145	145	22.7	22.7	22.7
Max. case drain pressure	[bar]	0.5	0.5	0.5	0.5	1	1	1
	[psi]	7.75	7.75	7.75	7.75	14.5	14.5	14.5
Noise level at full flow at 1800 rpm and 250 bar	[dbA]	74	76	78	80	76	78	80
Weight with load sense control	[kg]	37	44	63	78	42	62	76
	[lbs]	81	97	139	172	92	136	167
Mass moment of inertia (at axis of shaft)	[kg m ²]	0.0061	0.0101	0.0168	0.0241	0.0106	0.0177	0.0264